

# GEOBLOCK MULTIMODULO Technical Sheet

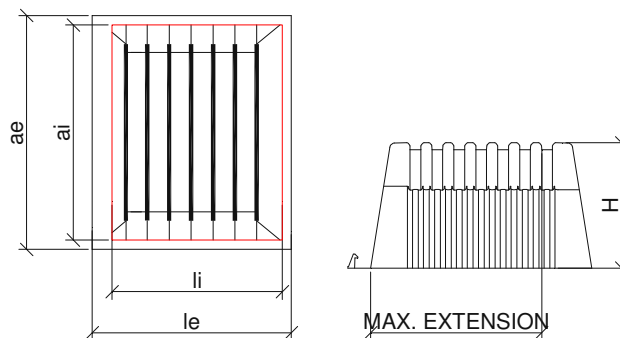
## 1. DESCRIPTION

Adjustable extension for the MultiModulo formwork for the realization of ventilated crawl spaces and foundation beams in a single casting. Available sizes from H13 to 40.



## 2. REFERENCE DIMENSIONS

GEOBLOCK	Height	Width (ae)	Length (le)	Net width (ai)	Net Length (li)	Step	Maximum extension
	cm	cm	cm	cm	cm	cm	cm
H13	8,0	31,0	30,5	25,0	27,5	3,5	23
H15	9,5	29,5	31,0	23,0	28,0	3,5	23
H17	12,0	32,0	31,5	26,0	28,5	3,5	23
H20	14,5	30,0	32,0	23,5	29,0	3,5	23,5
H25	20,0	34,0	33,0	28,0	30,0	3,5	24
H27	22,0	32,0	33,0	26,0	30,0	3,5	24,5
H30	24,5	32,0	34,0	25,5	31,0	3,5	25
H35	29,5	34,0	35,0	28,0	31,5	3,5	25
H40	34,5	34,0	36,0	28,0	33,0	3,5	26



### 3. INSTALLATION METHOD

- Used for side closures, Geoblock is positioned by coupling it with MultiModulo, facing the foundation beam to compensate for the distance and avoid cutting the formwork.
- With the use of Geoblock, a single casting is achieved by obtaining a monolithic foundation.
- Geoblock can be drilled for making the ventilation pipes of the under-floor cavity.

