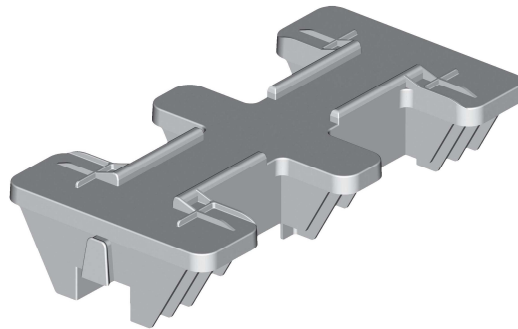


Technical data sheet GEOSKY H BEAM

1. DESCRIPTION

Beam for the support of Geopanel during the pour



2. TECHNICAL SPECIFICATIONS

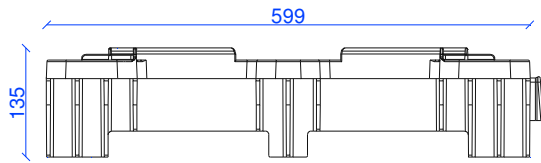
Material	-	Acrylonitrile butadiene styrene (ABS)
Percentage of recycled material	%	100
Colour	-	Grey
Dimensions	cm	31x60.5x H12.1
Weight	kg	2.69 (± 10%)
Thermal expansion coeff.	mm/m/°C	0.05
Place of production	-	Italy

3. PACKAGING AND TRANSPORT

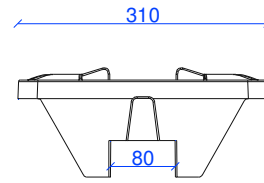
Product code	-	EGSKYTH0060
Code composition	-	1 H beam for Geosky system
Packaging size	cm	120 x 124 x H196
Quantities per pallet	pz	120
Packaging gross weight	kg	401



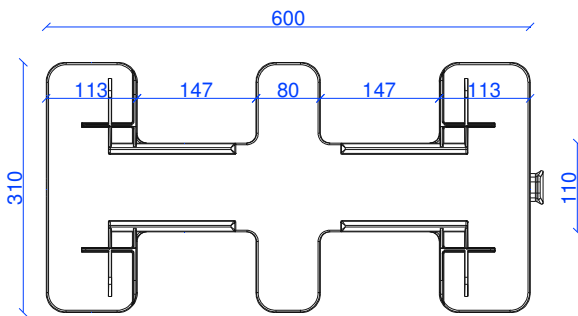
4. DISEGNI TECNICI



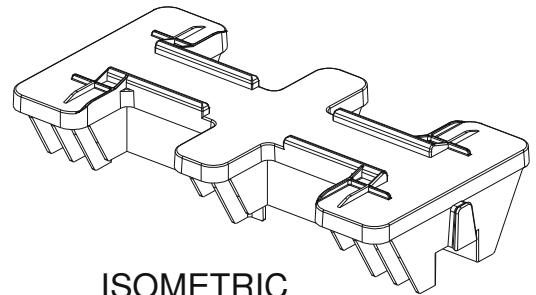
FRONT VIEW



SIDE VIEW



TOP VIEW



ISOMETRIC VIEW