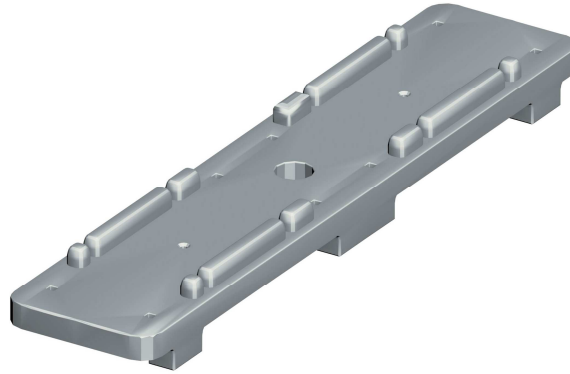


Technical data sheet GEOSKY HS

1. DESCRIPTION

Beam for the support of Geopanel during the pour



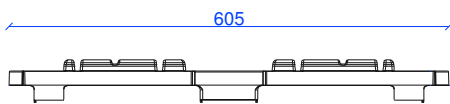
2. TECHNICAL SPECIFICATIONS

Material	-	Acrylonitrile butadiene styrene (ABS)
Percentage of recycled material	%	100
Colour	-	Grey
Dimensions	cm	13x60.5x H5.8
Weight	kg	0.62 (± 10%)
Thermal expansion coeff.	mm/m/°C	0.05
Place of production	-	Italy

3. PACKAGING AND TRANSPORT

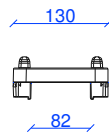
Product code	-	EGSKYHS0060
Code composition	-	1 HS beam for Geosky system
Packaging size	cm	75 x 121 x H228
Quantities per pallet	pz	594
Packaging gross weight	kg	386

4. TECHNICAL DRAWINGS

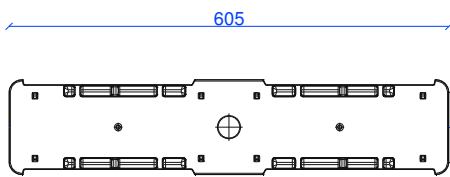
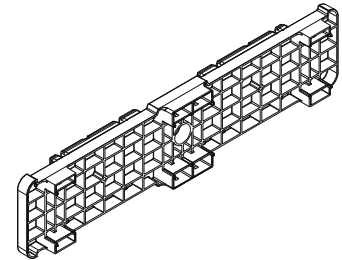


SIDE VIEW

20



SIDE VIEWS



TOP VIEW

