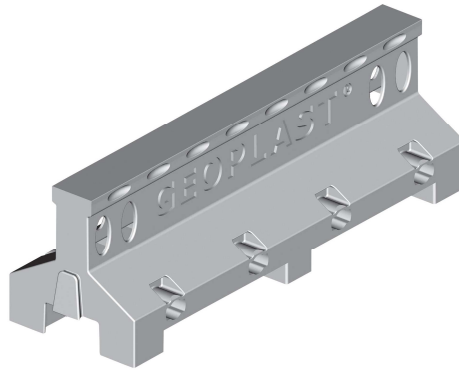


## Technical data sheet GEOSKY Y BEAM

### 1. DESCRIPTION

Beam for the support of Geopanel during the pour



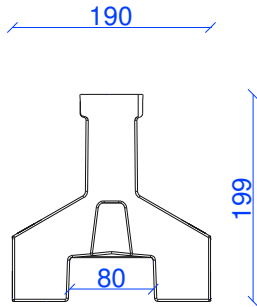
### 2. TECHNICAL SPECIFICATIONS

Material	-	Acronitrile Butadine Stirene (ABS)
Percentage of recycled material	%	100
Colour	-	Grey
Dimensions	cm	19.1x60.5x H20
Weight	kg	2.67 (± 10%)
Thermal expansion coeff.	mm/m/°C	0.05
Place of production	-	Italy

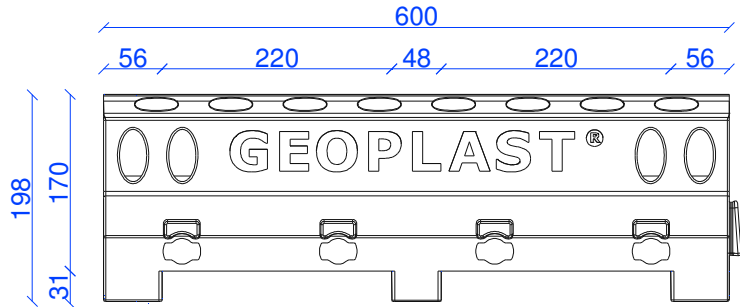
### 3. PACKAGING AND TRANSPORT

Product code	-	EGSKYTY0060
Code composition	-	1 Y beam for Geosky system
Packaging size	cm	120 x 121 x H216
Quantities per pallet	pz	140
Packaging gross weight	kg	391

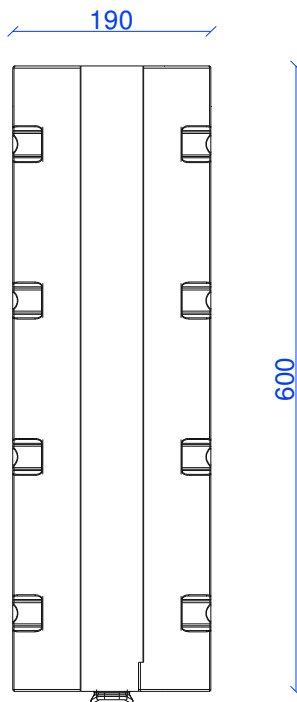
**4. TECHNICAL DRAWINGS**



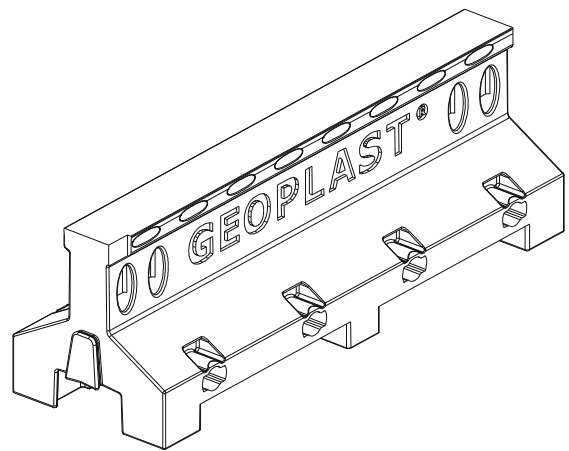
**FRONT VIEW**



**SIDE VIEW**



**TOP VIEW**



**ISOMETRIC VIEW**