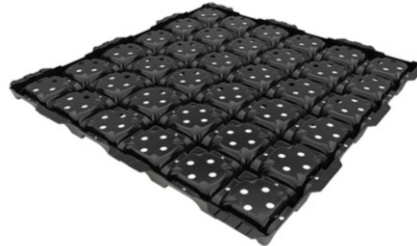


Technical data sheet DRAINROOF H 2,5

1. DESCRIPTION

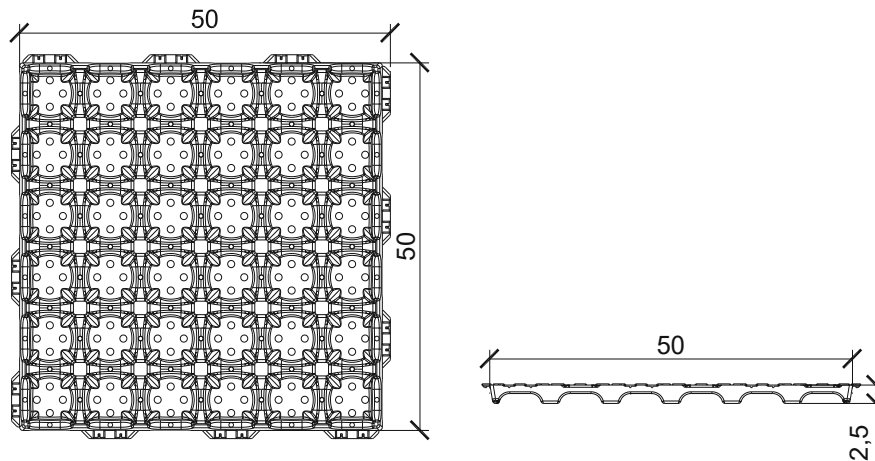
DRAINROOF H 2,5 is a plastic panel with retention and drainage function of rainwater in the green roofs.



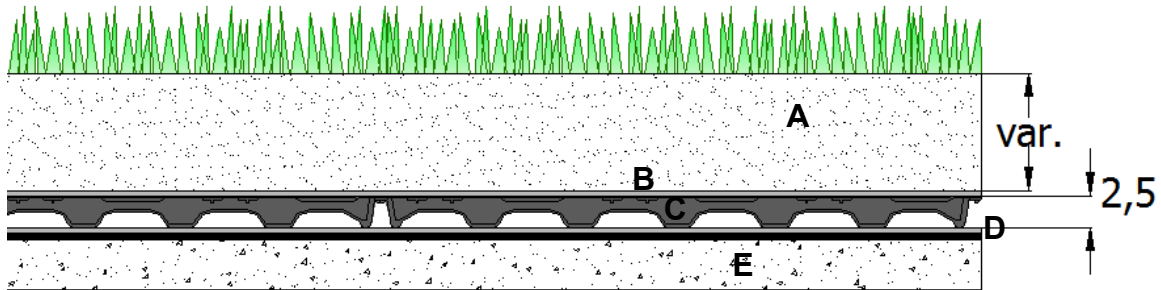
2. TECHNICAL SPECIFICATIONS

Material	-	Graplene
Percentage of recycled material	%	100
Colour	-	Black
Dimensions	cm	50 x 50 x H2,5
Weight per unit	kg	0,54
Weight per sqm	kg/m ²	2,16
Drainage surface	cm ² /m ²	547
Compressive strength	t/m ²	3,2
Water reserve	l/m ²	1,32
Type of connection	-	Double overlapping
Place of production	-	Italy

3. TECHNICAL DRAWINGS



4. TYPICAL STRATIGRAPHY



A- Vegetation soil; B- Geotextile for separation; C- Drainroof H2,5; D- Waterproofing membrane; E- Slab

- 1) **Waterproofing** - Laying of geotextile (200 g/m²) for the preservation and waterproofing of the slab.
- 2) **Installation of DRAINROOF H 2,5** - Installation of DRAINROOF H 2,5 (60m²/h/worker).
- 3) **Installation of geotextile** – Protection of the panel by applying a 150 g/m² non-woven geotextile. The function of the geotextile is to preserve the drainage capacity of the panel, avoiding clogging.
- 4) **Laying of the vegetation soil** - Thickness varies according to the type of green roof.
 - 8-20cm for extensive garden
 - 20-150cm for intensive garden
- 5) **Creation of the garden** – We recommended to choose the plants according to local climatic conditions

5. PACKAGING AND TRANSPORT

Product code	-	FDRAINR5002
Pcs per sqm	pcs	4
Packaging	-	Stacked on pallet
Pcs per pallet	pcs	1440
Surface per pallet	m ²	360
Packaging dimension	cm	105 x 120 x H230