

Technical Data Sheet AQUABOX HPR

1. DESCRIPTION

Aquabox is a modular and inspectable element in plastic material used for the realization of underground basins for rainwater infiltration, detention and harvesting.

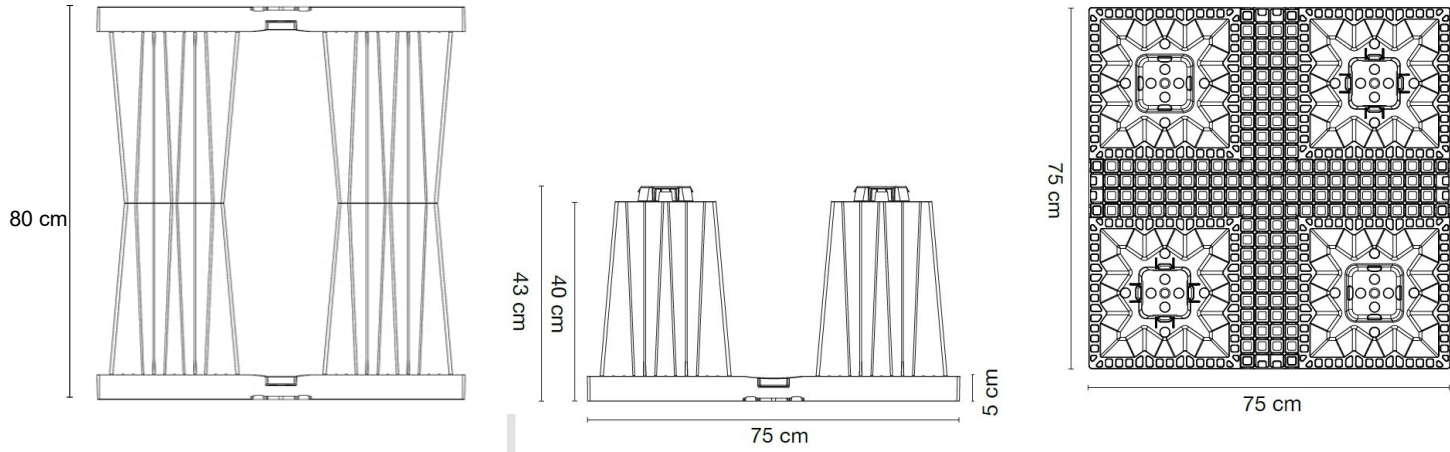


2. TECHNICAL SPECIFICATIONS

| | | | |
|--------------------|--------|--|--------------------|
| Material | | Regenerated polypropylene – Type: Graplene VNFV 15 | |
| Color | - | Black | |
| Dimensions [LxL] * | cm | 75 x 75 | |
| Height [h] * | cm | Half element 43 | Full element 80 |
| Weight ** | kg | 10,23 | 20,46 |
| Volume | liters | 225 | 450 |
| Net volume | liters | 216 | 432 |
| Void Ratio | % | 96 | |
| Load Class | - | SLW 60 | |
| Production place | - | Italy | |

* in consideration of the recycled material the measurements must be considered with a tolerance of $\pm 1.5\%$.
** varies according to the climatic conditions of the installation site ($\pm 10\%$)

3. TECHNICAL DRAWINGS



4. PACKAGING AND TRANSPORT

| | | |
|--|-----|---------------------------------------|
| Product code | - | EDAQUVE1540 |
| Packaging dimensions | cm | 80 x 152 x H258 |
| Type of packaging | - | Stacked and wrapped with plastic film |
| Pieces per pallet | pcs | 80 |
| Package gross weight (pallet included) | kg | 730 |

Technical Data Sheet AQUABOX CUBE HPR

5. DESCRIPTION

Aquabox Cube is a modular hollow element designed to make inspection shafts for the inspection and management of Aquabox underground tanks.

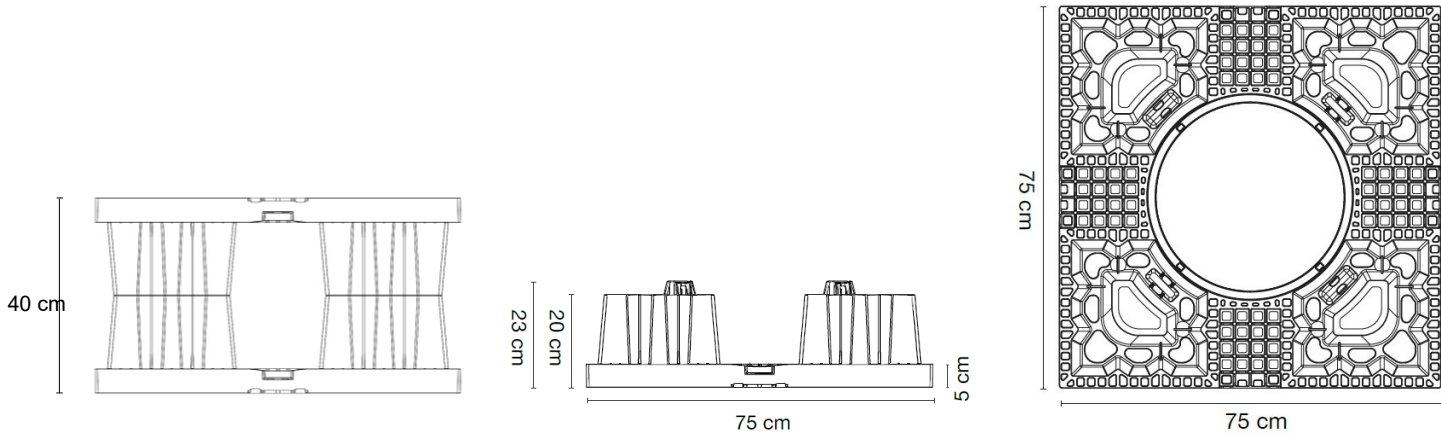


6. TECHNICAL SPECIFICATIONS

| | | | |
|--------------------|--------|--|--------------------|
| Material | | Regenerated polypropylene – Type: Graplene VNFV 15 | |
| Color | - | Black | |
| Dimensions [LxL] * | cm | 75 x 75 | |
| Height [h] * | cm | Half element 23 | Full element 40 |
| Weight ** | kg | 7,37 | 14,74 |
| Volume | liters | 112 | 225 |
| Net volume | liters | 106 | 212 |
| Void Ratio | % | 94 | |
| Load Class | - | SLW 60 | |
| Production place | - | Italy | |

* in consideration of the recycled material the measurements must be considered with a tolerance of $\pm 1.5\%$.
** varies according to the climatic conditions of the installation site ($\pm 10\%$)

7. TECHNICAL DRAWINGS



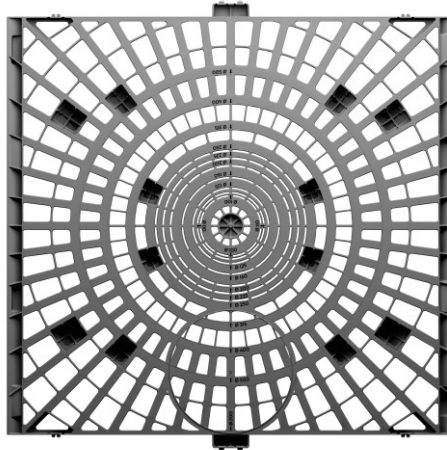
8. PACKAGING AND TRANSPORT

| | | |
|--|-----|---------------------------------------|
| Product code | - | EDAQUVE0200 |
| Packaging dimensions | cm | 80 x 152 x H255 |
| Type of packaging | - | Stacked and wrapped with plastic film |
| Pieces per pallet | pcs | 88 |
| Package gross weight (pallet included) | kg | 300 |

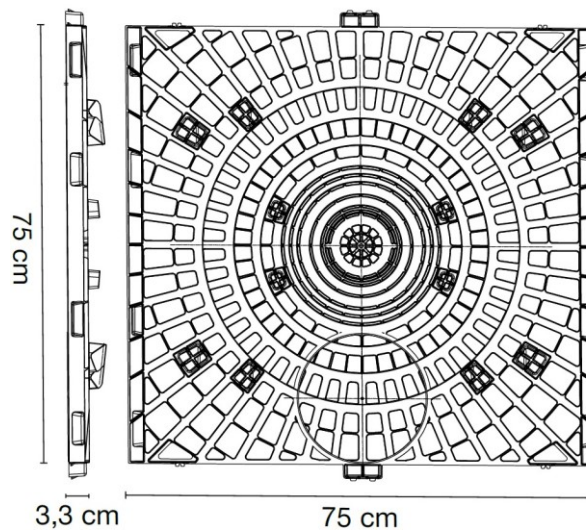
Technical data sheet SIDEWALL GRID HPR

9. DESCRIPTION

Aquabox Sidewall grid is used to close the lateral surface of the basin and is fixed to Aquabox with a simple integrated clip.



10. TECHNICAL DRAWINGS



* in consideration of the recycled material the measurements must be considered with a tolerance of $\pm 1.5\%$.

11. TECHNICAL SPECIFICATIONS

| | | |
|---|----|---|
| Material | - | Regenerated polypropylene Type: Graplene VNFV 15 |
| Dimensions * | cm | 75 x 75 x H3,3 |
| Weight | kg | 2,74 (± 10%) |
| Pipe nominal diameter inlet/outlet (DN/OD) | cm | 100, 110, 125, 160, 200, 225, 250, 315, 400, 500 |
| Production place | - | Italy |

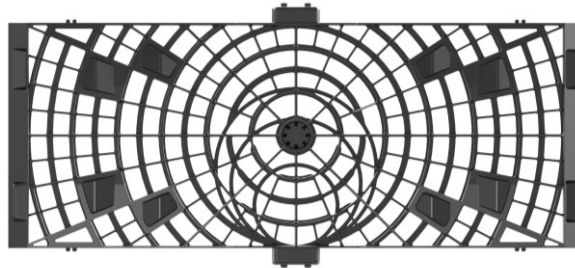
12. PACKAGING AND TRANSPORT

| | | |
|---|-----|--|
| Product code | - | EDAQSWVE033 |
| Packaging dimensions | cm | 75 x 150 x H250 |
| Type of packaging | - | Stacked and wrapped with plastic film |
| Pieces per pallet | pcs | 140 |
| Package gross weight (pallet included) | kg | 350 |

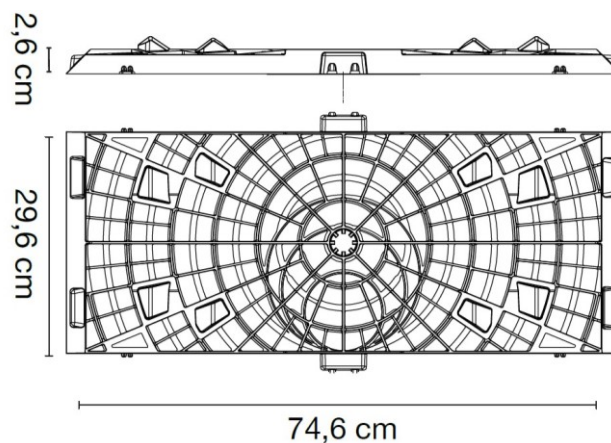
Technical data sheet SIDEWALL GRID CUBE HPR

13. DESCRIPTION

Aquabox Cube sidewall grid is used for the side closing of each module when the access point is installed at the perimeter or at the edge of the basin.



14. TECHNICAL DRAWINGS



** in consideration of the recycled material the measurements must be considered with a tolerance of $\pm 1.5\%$.*

15. TECHNICAL SPECIFICATIONS

| | | |
|--|----|---|
| Material | - | Regenerated polypropylene Type: Graplene VNFV 15 |
| Dimensions * | cm | 75 x 30 x H2,6 |
| Weight | kg | 1,36 ($\pm 10\%$) |
| Pipe nominal diameter inlet/outlet (DN/OD) | cm | 100,160, 200 |
| Production place | - | Italy |

16. PACKAGING AND TRANSPORT

| | | |
|--|-----|---|
| Product code | - | EDAQUVE0026 |
| Packaging dimensions | cm | 75 x 150 x H250 |
| Type of packaging | - | Impilato e avvolto in film plastico su bancale |
| Pieces per pallet | pcs | 280 |
| Package gross weight (pallet included) | kg | 350 |

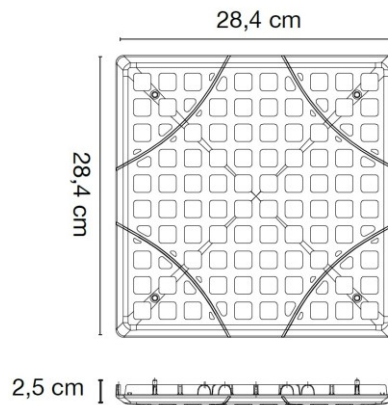
Technical data sheet HPR TOP CAP

17. DESCRIPTION

Perforated closing cap for the top surface of the Aquabox and Aquabox Cube element.



18. TECHNICAL DRAWINGS



19. TECHNICAL SPECIFICATIONS

| | | |
|------------------|----|---|
| Material | - | Regenerated polypropylene Type: Graplene VNFV 15 |
| Dimensions * | cm | 28,4 x 28,4 x H2,5 |
| Weight | kg | 0,33 (± 10%) |
| Production place | - | Italy |

** in consideration of the recycled material the measurements must be considered with a tolerance of ± 1.5%.*

20. PACKAGING AND TRANSPORT

| | | |
|---|-----|---|
| Product code | - | EDAQTFV1524 |
| Packaging dimensions | cm | 90 x 120 x H255 |
| Type of packaging | - | Impilato e avvolto in film plastico su bancale |
| Pieces per pallet | pcs | 1200 |
| Package gross weight (pallet included) | kg | 410 |

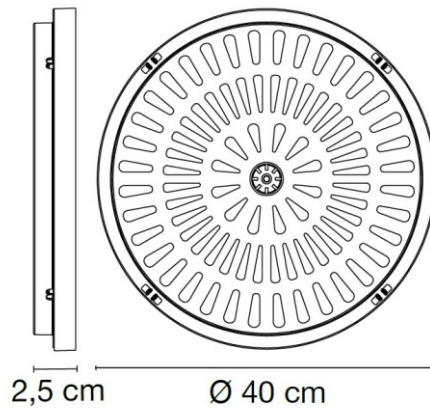
Technical data sheet D4 HPR CAP

21. DESCRIPTION

Circular lid to close the bottom side of the Aquabox Cube inspection shaft.



22. TECHNICAL DRAWINGS



** in consideration of the recycled material the measurements must be considered with a tolerance of $\pm 1.5\%$.*

23. TECHNICAL SPECIFICATIONS – PACKAGING AND TRANSPORT

| | | |
|----------------------|----|---|
| Product code | - | EDAQCVE0400 |
| Material | - | Regenerated polypropylene Type: Graplene VNFV 15 |
| Dimensions | cm | 2,5 - Ø 40 |
| Weight | kg | 1,11 ($\pm 10\%$) |
| Packaging dimensions | cm | 82 x 122 x H258 |
| Pieces per pallet | | 312 |
| Production place | - | Italy |

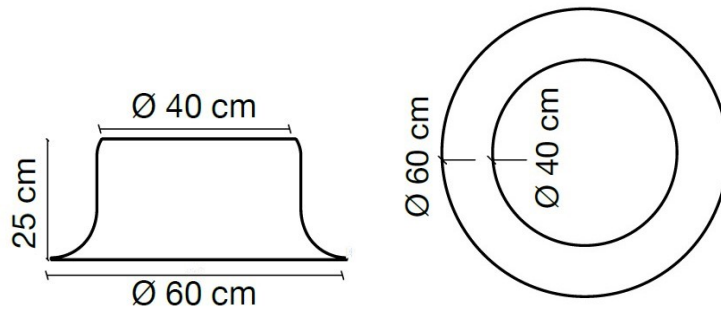
Technical data sheet D4 CONNECTOR

24. DESCRIPTION

Connection element to facilitate the insertion of the corrugated tube into the Aquabox Cube pit.



25. TECHNICAL DRAWINGS



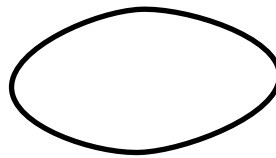
26. TECHNICAL SPECIFICATIONS

| | | |
|------------------|----|---------------------------|
| Product code | - | EDCONND0040 |
| Material | - | ABS – Type: Gratene Black |
| Dimensions | cm | Ø 40 x 25 |
| Weight | kg | 1,3 |
| Production place | - | Italy |

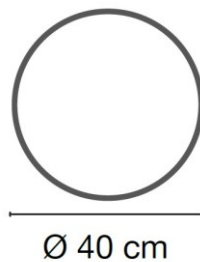
Technical data sheet O-RING

27. DESCRIPTION

Sealing gasket



28. TECHNICAL DRAWINGS



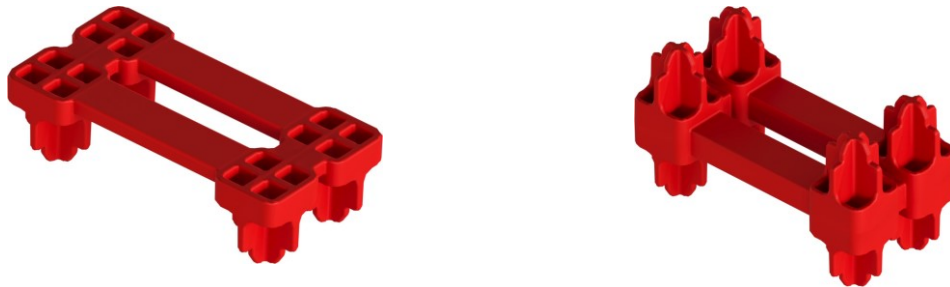
29. TECHNICAL SPECIFICATIONS

| | | |
|------------------|----|-------------|
| Product code | - | EDGUARA0040 |
| Material | - | Elastomer |
| Dimensions | cm | Ø 40 x 3,7 |
| Weight | kg | 0,51 |
| Production place | - | Italy |

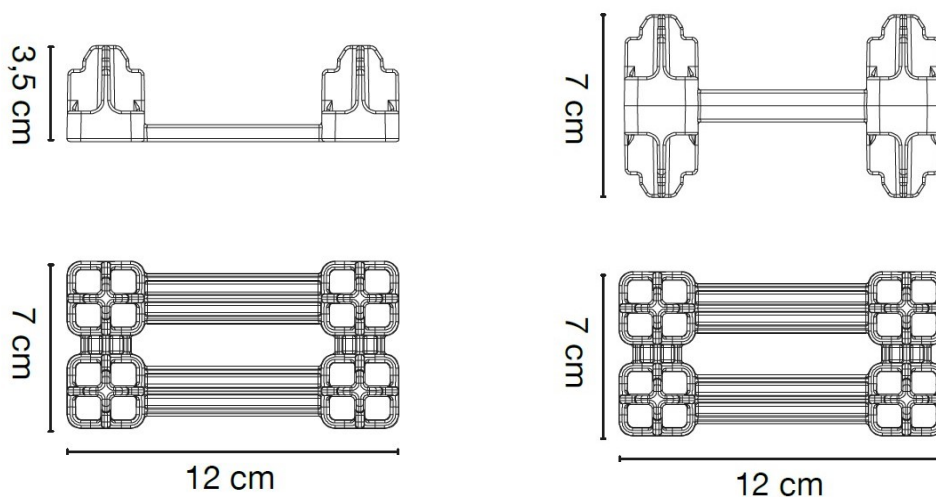
Technical data sheet JOINTS

30. DESCRIPTION

Universal connection components for Aquabox and Aquabox Cube



31. TECHNICAL DRAWINGS



32. TECHNICAL SPECIFICATIONS – PACKAGING AND TRANSPORT

| | | | |
|------------------|----|-----------------------------------|-----------------------|
| Product code | - | EDAQJOI0035 | EDAQJOI0070 |
| Material | - | Polypropylene - Type: Graplene VN | |
| Color | - | Red | |
| Dimensions | cm | Single 12 x 7 x H3,5 | Double 12 x 7 x H7 |
| Weight | kg | 0,042 (± 10%) | 0,073 (± 10%) |
| Pieces per bag | | 400 | 300 |
| Production place | - | Italy | Italy |